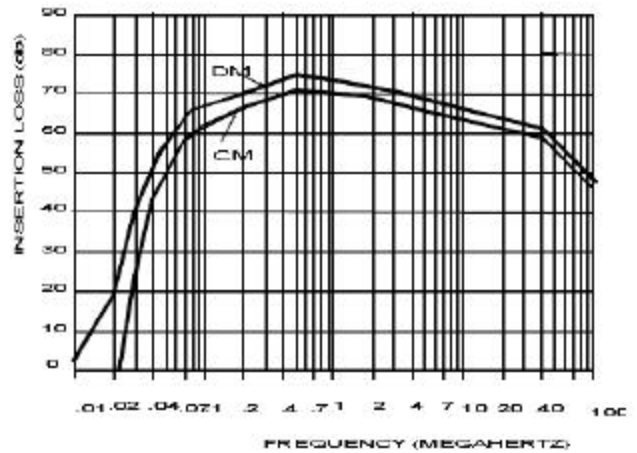
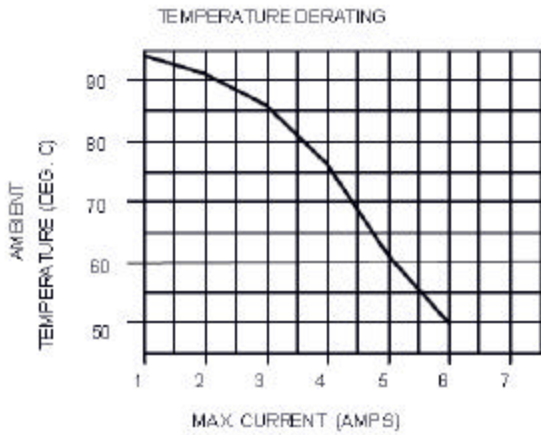
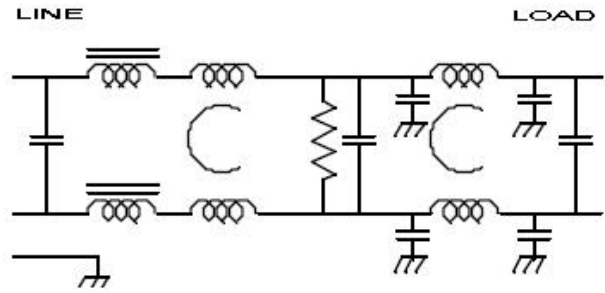




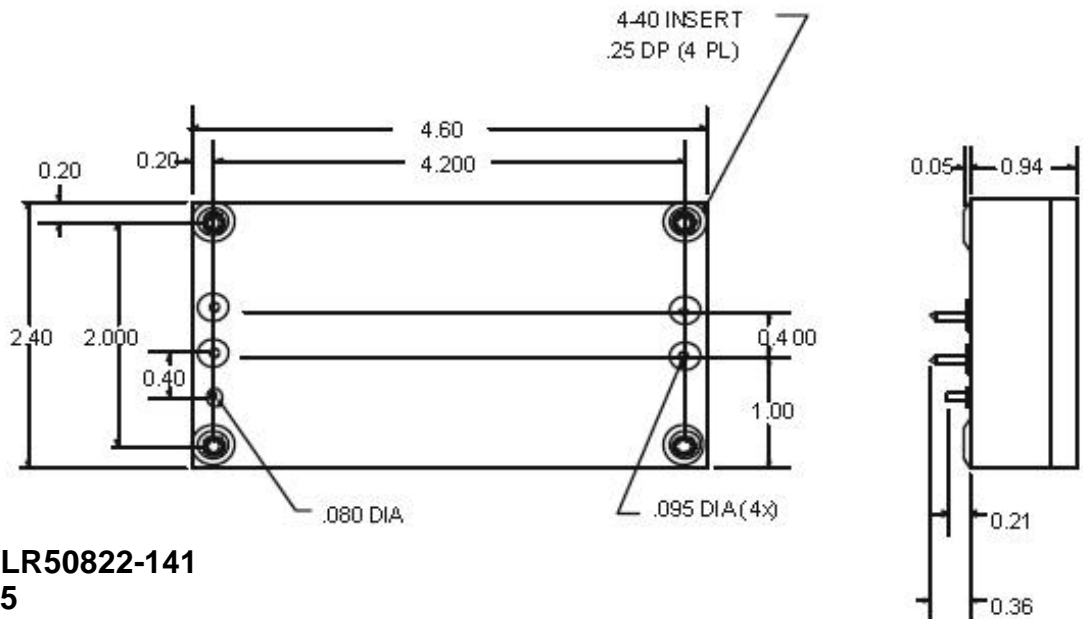
# HH-1199-6

This filter was designed especially for power supply modules with power factor correction. This filter works well on systems with requirements to meet the European EN55022 emissions specification or for systems required to meet the FCC conducted emissions standards.

Operating voltage = 125 / 250 v~  
 Operating current (max) = 6.0 amperes  
 Frequency = 50/60 hz  
 Temperature range (storage) = -40 to 85 c  
 Temperature range (operating) = -20 to 50 c  
 Diel. withstanding voltage (ph - case) = 1500 v~  
 Diel. withstanding voltage (ph - ph) = 1500 vdc  
 Leakage current @ 250 v~, 60 hz = 2.5 ma max.  
 Discharge voltage after 60 sec = 34 V max.



**Order Part number:**  
**HH-1199-6**



**Safety Approvals:**  
**CSA / UL : Csa file #LR50822-141**  
**TUV: Lic. # R9872905**