



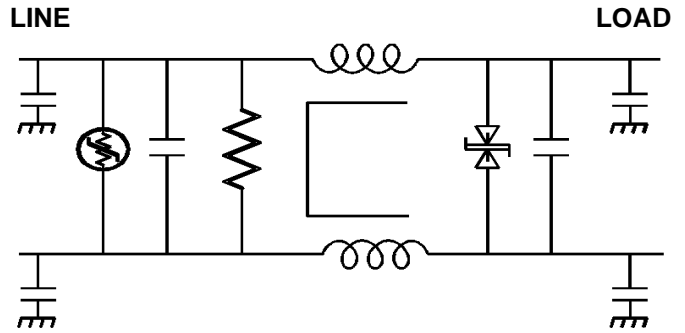
AA-1506-12

This economical filter is designed to operate in severe environments such as Mil-Std-704.

The filter is configured to operate in the EMC environment of Mil-Std-461B or Mil-Std-461C. It has a very good common mode and differential mode insertion loss and also features transient energy suppression of 20 joules.

The standard filter will work well in office or light vibration environments. The (-12B) model is more rugged with a wider temperature range and capable of sustaining motor vehicle shock and vibration levels.

Order P/N: AA-1506-12 (Standard Temp Range)
: AA-1506-12B (Wider Temp Range)



Operating Voltage = _____ 36.0 Vdc (Max)
 Temperature Operating = _____ -20 to 50°C (Std)
 Operating Current = _____ 12 Amp
 Temperature Operating = _____ -40 to 55°C (-12B)
 Diel. Withstd (Line to Case) = _____ 1500 Vdc for 1 Min
 Diel. Withstd (Line to Line) = _____ 707 Vdc for 1 Min
 Transient Energy Absorbtion = _ 20 Joules (10x1000 us)
 Calculated MTBF = _____ 2,088,620 Hrs GB @ 30°C

