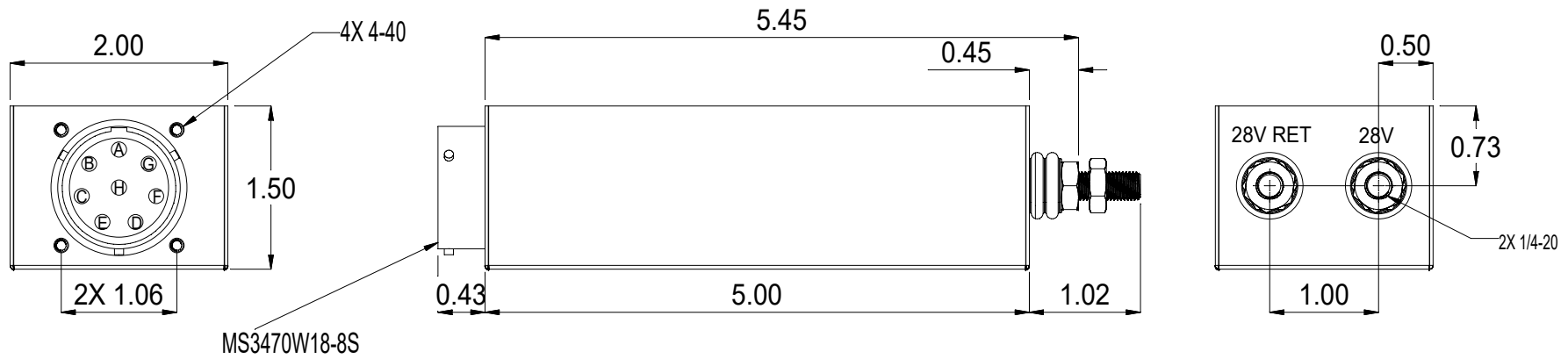


REVISIONS				
ZONE	REV.	DESCRIPTION	DATE	APPROVED

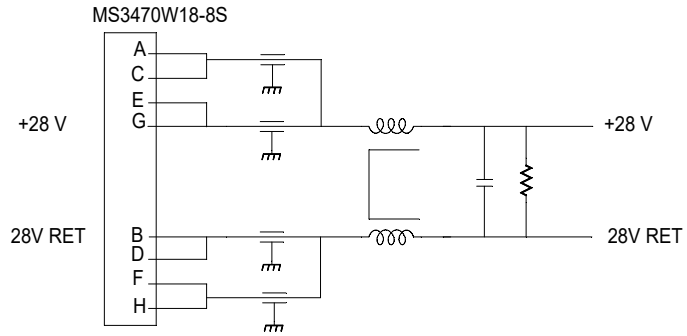


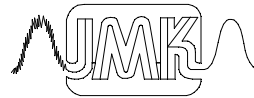
INPUT VOLTAGE : 100 Vdc Max
 MAXIMUM CURRENT: 92A
 OPERATING TEMPERATURE: -40 TO 71 C
 STORAGE TEMPERATURE : -40 TO 100C
 DIELECTRIC WITHSTANDING (LINE - CASE): 250 Vdc FOR 1 MINUTE
 DIELECTRIC WITHSTANDING (LINE - LINE): 250 Vdc FOR 1 MINUTE

WEIGHT: 1.34 LB,

INSERTION LOSS

COMMON MODE		DIFFERENTIAL MODE	
10 KHZ	20 db	10 KHZ	20 db
100 KHZ	40 db	100 KHZ	40 db
1.0 MHZ	50 db	1.0 MHZ	55 db
10 MHZ	60 db	10 MHZ	60 db
100 MHZ	60db		
1.0 GHZ	60 db		



UNLESS OTHERWISE SPECIFIED:		NAME	DATE	
DIMENSIONS ARE IN INCHES		DRAWN		
TOLERANCES:		CHECKED		
FRACTIONAL ±		ENG APPR.		
ANGULAR: MACH ± 1 BEND ±		MFG APPR.		TITLE: SPECIFICATION
TWO PLACE DECIMAL ± .01				
THREE PLACE DECIMAL ± .005				SIZE B
INTERPRET DIMENSIONS AND TOLERANCES PER ASME Y14.5-1994		O.A.		DWG. NO. ZM-2378-92
MATERIAL		COMMENTS:		REV 2
FINISH				SCALE: 1:1
USED ON		DO NOT SCALE DRAWING		CAGE CODE 66239
				SHEET 1 OF 1