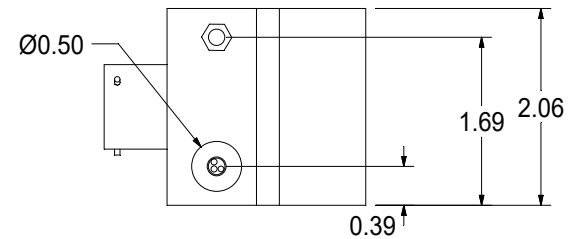
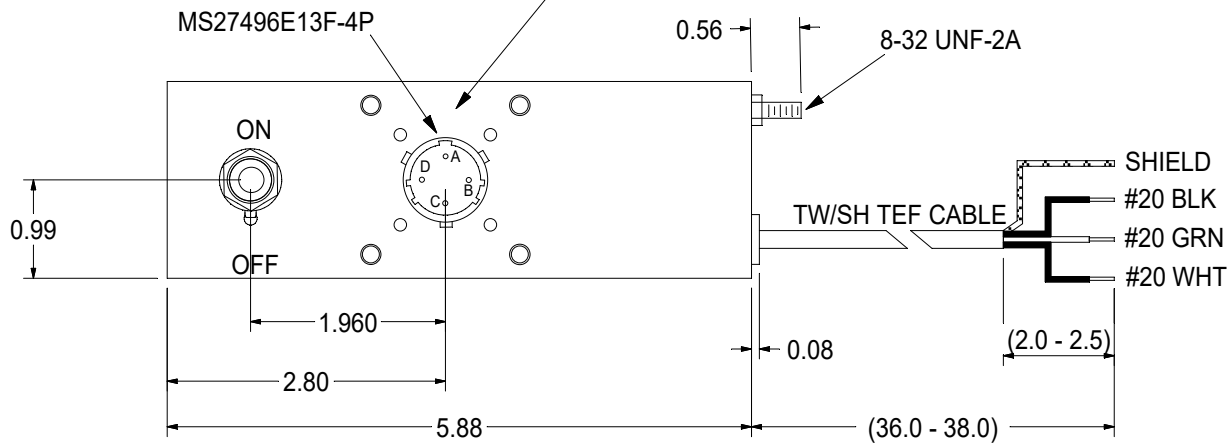
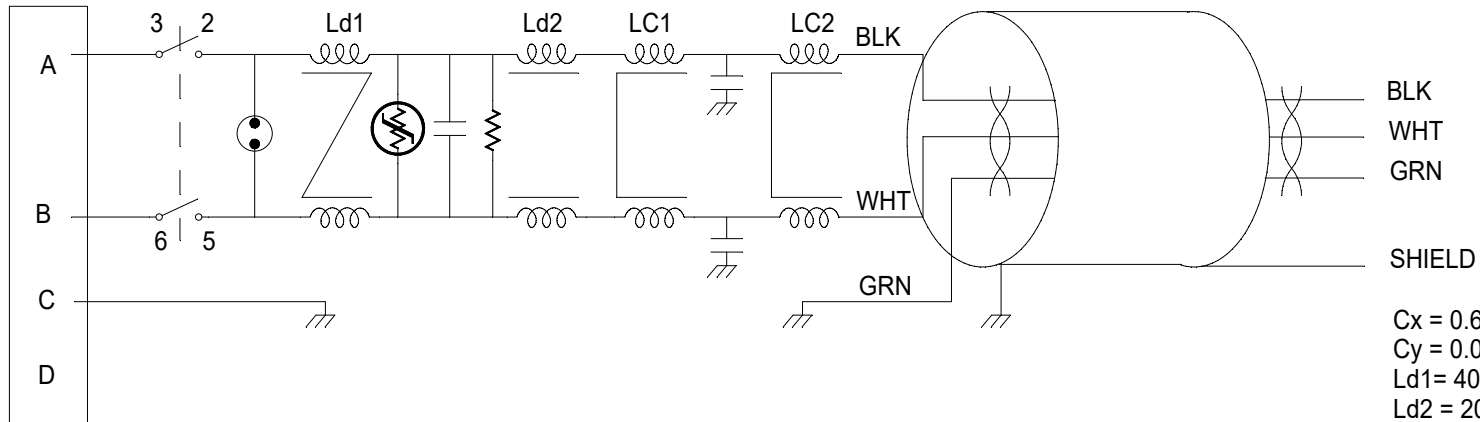


SEE DETAIL "A" FOR INSERT AND CONNECTOR CONFIGURATION

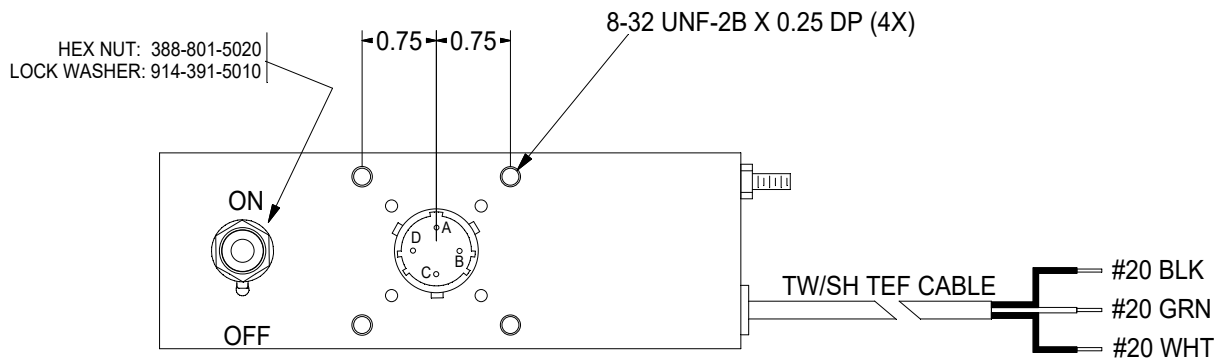


SCALE 1:1	APPROVED BY	DRWN BY RDW	
DATE 3/24/09		REV DATE 10/04/16	
SPECIFICATION			REVISION H
TOLERANCE .XX = .02 .XXX = .005		DRAWING NO. ZF-1975-4	
DIM: INCHES (mm)			



BLK
WHT
GRN
SHIELD

Cx = 0.68 uF
Cy = 0.01uF
Ld1= 400 uH
Ld2 = 200 uH
Lc1 = 21.4 mH
Lc2 = 0.68 mH
R = 470K ohm, 2W
VARISTOR = (212 - 259) V
GAS TUBE = 225 V min

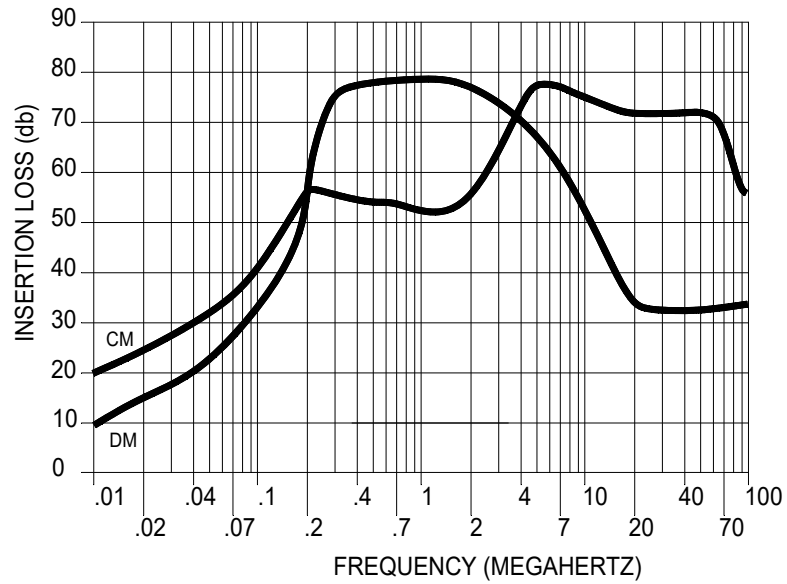


DETAIL "A"

SCALE 1:1	APPROVED BY	DRWN BY RDW	
DATE 3/24/09		REV DATE 10/04/16	
SPECIFICATION			REVISION H
TOLERANCE XX = .02 XXX = .005	DRAWING NO.		ZF-1975-4
DIM: INCHES (mm)			

INPUT VOLTAGE: 115 / 250 Vac
 OPERATING FREQUENCY: 50 - 400 Hz
 MAXIMUM CURRENT: 4A
 OPERATING TEMPERATURE: -40 TO 50C
 STORAGE TEMPERATURE: -40 TO 100C
 DIELECTRIC WITHSTANDING (LINE - CASE); 1500 VAC FOR 1 MINUTE
 VARISTOR VOLTAGE (LINE - LINE); (212 - 259) V
 LEAKAGE CURRENT: 1.1 mA MAX. @ 115V, 60HZ
 7.0 mA MAX. @115V, 400HZ
 WEIGHT: 2.0 LB.

INSERTION LOSS:



SCALE 1:1	APPROVED BY	DRWN BY RDW	
DATE 3/24/09		REV DATE 10/04/16	
SPECIFICATION			REVISION H
TOLERANCE .XX = .02 .XXX = .005	DRAWING NO. ZF-1975-4		
DIM: INCHES (mm)			