



# ZF-1947-20

The ZF-1947-20 filter is configured to work with systems that need Common Mode insertion loss to meet the conducted emission requirements of Mil-Std-461C, D, E or F.

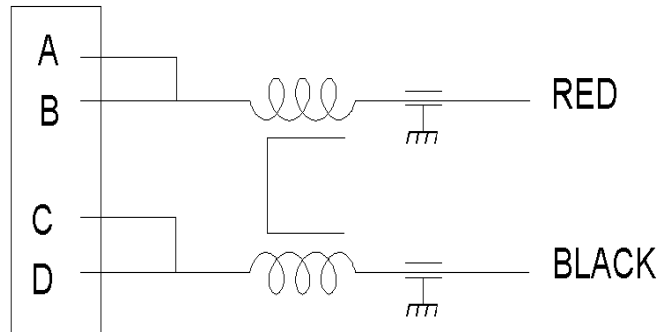
The filter features a small size and 20 amp capability.

The insertion loss is a solid 55 db to a Gigahertz and beyond.

The filter is also designed to meet the DC power requirements of:

Mil-Std-704F, Aircraft Electric power characteristics.

Mil-Std-1275, 28V Elec. Systems in Military vehicles.

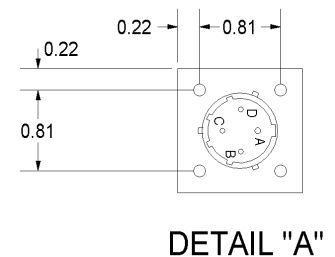
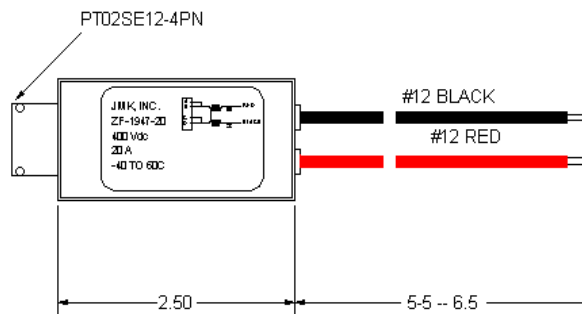
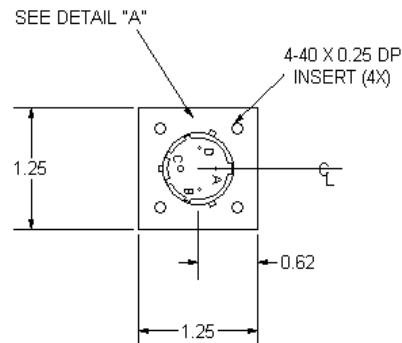
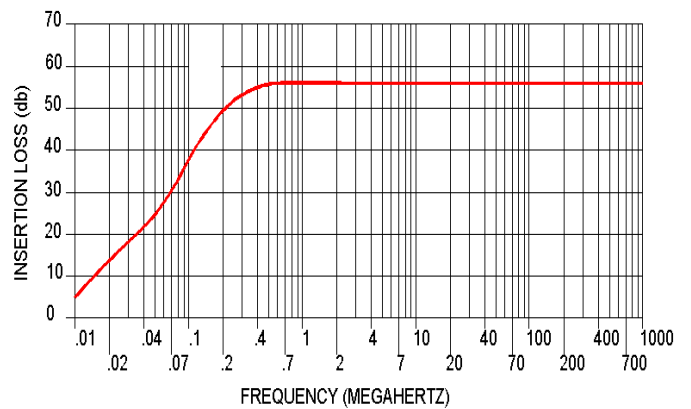


Operating Voltage = \_\_\_\_\_ 400 Vdc max.  
 Operating Current Max = \_\_\_\_\_ 20.0 amp  
 Temperature Operating = \_\_\_\_\_ -40 to 60°C  
 Storage Temperature = \_\_\_\_\_ -40 to 100°C

Diel. Withstand (Line to Case) = \_\_\_\_\_ 800 Vdc for 1 Min  
 Diel. Withstand (Line to Line) = \_\_\_\_\_ 800 Vdc for 1 Min

Calculated MTBF = \_\_\_\_\_ 3,776,378 hrs GB @ 30°C

INSERTION LOSS vs. FREQUENCY



USA JMK Inc 15 Caldwell Dr. Amherst, NH 03031 PH: 603 886-4100 FX: 603 886-4115  
 email: info@jmkfilters.com  
 EUR JMK Inc Glasgow G13 1DN Scotland UK PH: 44-(0) 7785310729 Fax: 44-(0) 141 589 1884