

AA-1538-14

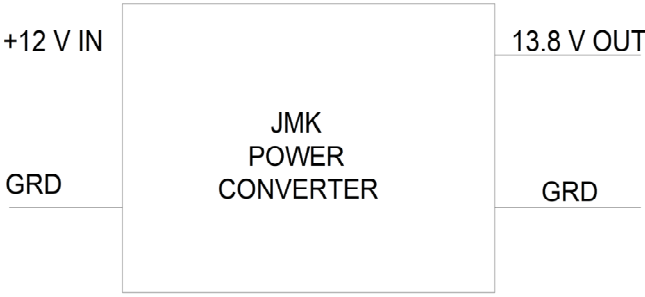
This small power supply is designed for use in automotive applications to power onboard computers, stereo equipment and other electronic hardware requiring a noise free and stable power input.

This power supply is packaged in a small, sealed metal enclosure for maintenance free operation.

The 0.25 tab terminals facilitate insertion and connection in any system.

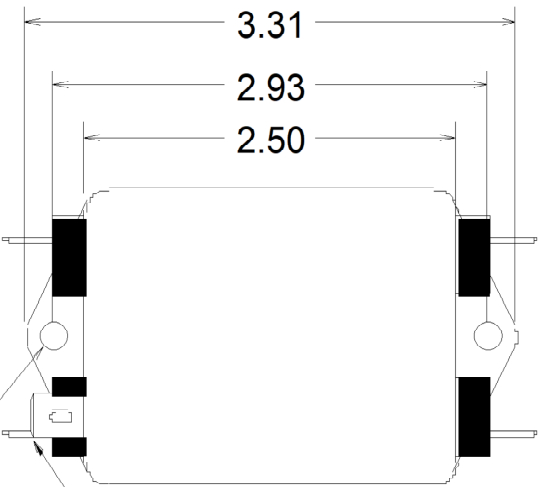
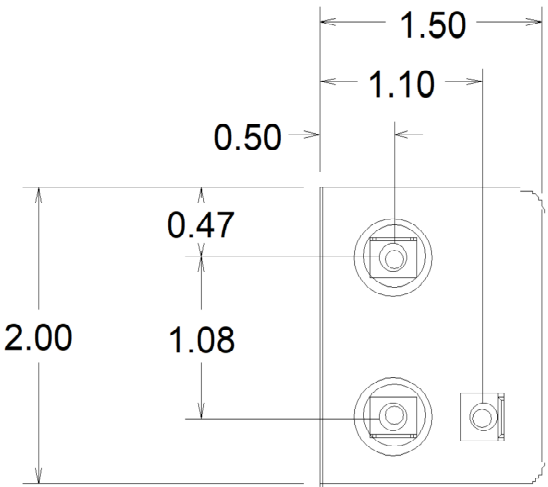
The mounting tabs enable installation with rivets, machine screws or sheet metal screws.

Order P/N: AA-1538-14



Input Voltage = _____ 6—15 Vdc
 Output Voltage = _____ 13.8 @ 8—15 V input
 Output Current = _____ 4 Amps Max
 Temperature Range = _____ -40 to 50°C

Sealed metal case
 Reverse polarity protected
 Designed to meet the vibration and shock requirements of Mil-Std-810



Ø0.19 (2PL) 0.25 TAB TERM (5PL)