



AA-0440-3, 6, 8, 10

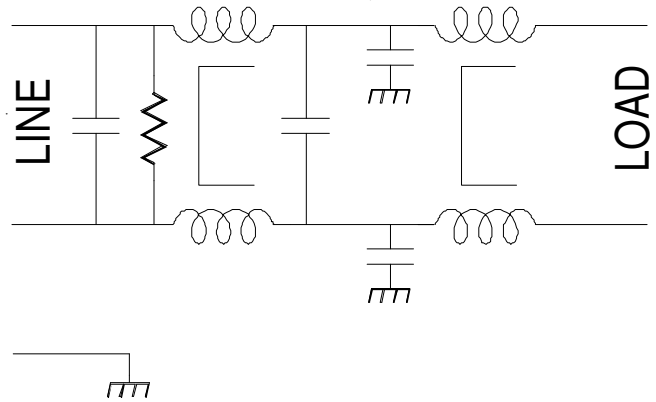
This filter series is available with current ratings of 3,6,8, and 10 amps.

It is also produced with configurations featuring 1/4 tab terminals, AWG #18 leads, or with an IEC inlet connector.

The design is intended for systems which have requirements to meet the following:

- FCC
- EN55022 or other European requirements
- MIL-STD-461D or E.

Order P/N: AA-0440-3
 AA-0440-6
 AA-0440-8
 AA-0440-10



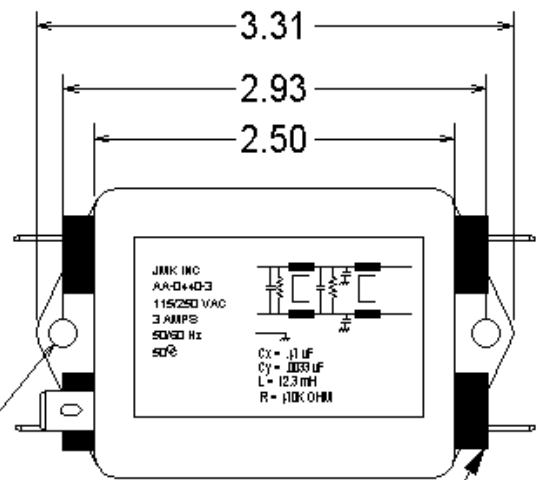
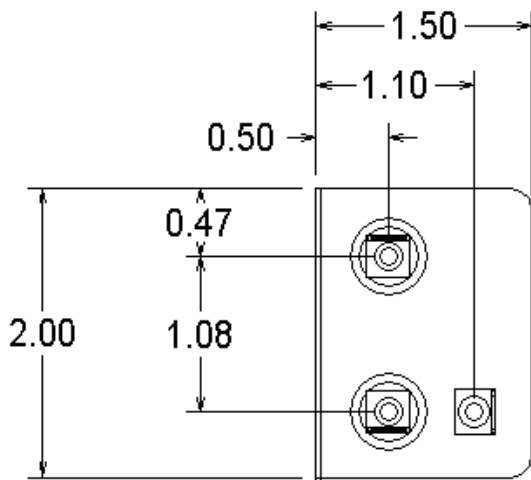
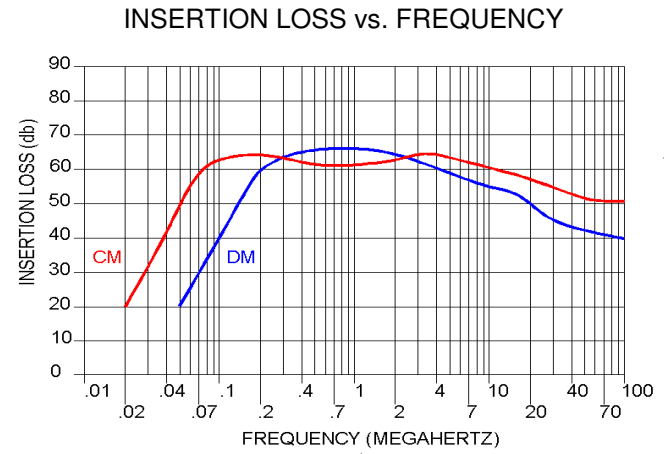
Operating Voltage = _____ 115/250 V
 Operating Current = _____ 3 Amps
 Operating Frequency = _____ 50 / 60 Hz

Temperature Range = _____ -20 to 50°C

Diel. Withstand (L-CASE) = _____ 1500 V; 1 Min
 Diel. Withstand (L-L) = _____ 1500 Vdc; 1 Min

Leakage Current = _____ 0.5 ma @ 250 V, 60 Hz
 Discharge Volt after 1.0 second = _____ 10 V Max

Calculated MTBF = _____ 4,640,694 Hrs @ 30°C GB



Ø0.19 (2PL)

0.25 TAB TERM (5PL)