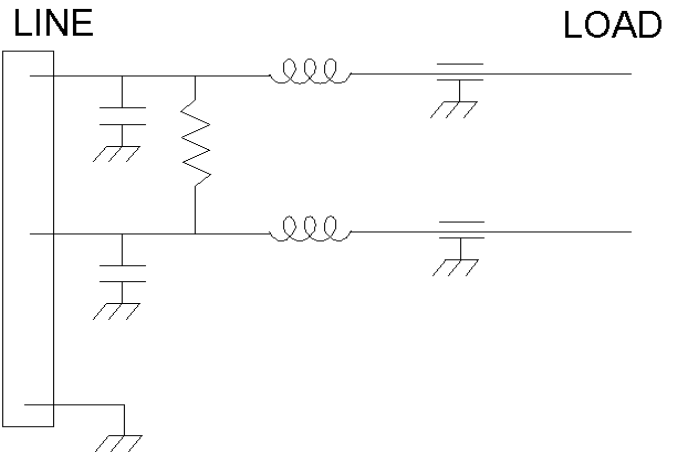




# 0916 SERIES

This series of filters has been designed to meet tempest and other requirements where high insertion loss is necessary.

This series is designed with "Feed-Through Capacitors" to provide attenuation to RF noise at frequencies from below 10 KHz to above 1 GHz



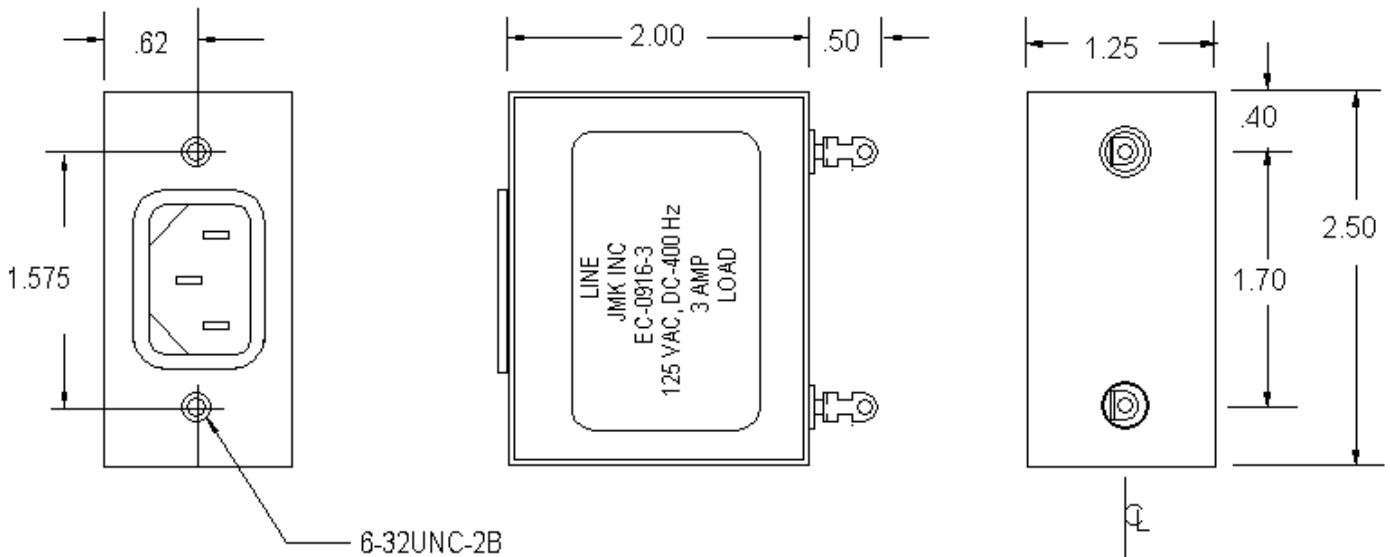
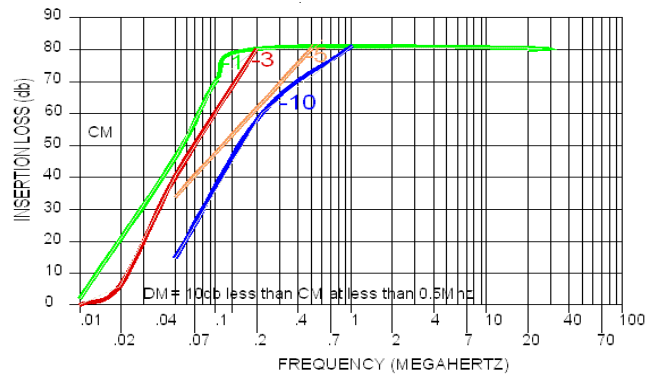
Operating Voltage = \_\_\_\_\_ 125 Vac  
 Operating Current = \_\_\_\_\_ 1,3,5 & 10 Amps  
 Operating Frequency = \_\_\_\_\_ 50—400 Hz  
 Operating Temperature = \_\_\_\_\_ -20 to 50°C

Diel. Withstanding (Line-Ground) = \_\_ 800 VDC for 1 Min  
 Diel. Withstanding (Line to Line) = \_\_ 800 VDC for 1 Min

Leakage Current = \_\_\_\_\_ 56 mA @ 125 VAC, 60Hz  
 Residual Voltage (Max after 5 sec.) = \_\_\_\_\_ 35 Volts

Calculated MTBF= \_\_\_\_\_ 1,344,850 Hrs GB

**INSERTION LOSS vs. FREQUENCY**



USA JMK Inc 15 Caldwell Dr. Amherst, NH 03031 PH: 603 886-4100 FX: 603 886-4115  
 email: info@jmkfilters.com  
 EUR JMK Inc Glasgow G13 1DN Scotland UK PH: 44-(0) 7785310729 Fax: 44-(0) 141 589 1884