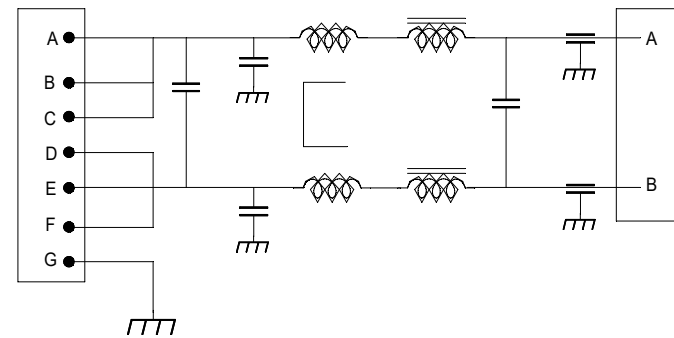


OPERATING: VOLTAGE: 50 VDC
 CURRENT: 10 AMP MAX.
 OPERATING TEMP: -40 TO +50 C



SCALE	APPROVED BY	DRWN BY CYNTHIA GOMEZ
DATE 05/29/14		REV DATE 2/10/16
SPECIFICATION		B
TOLERANCE	.XX = .01	DRAWING NO.
DIM IN INCHES	.XXX = .005	ZZ-2222-10