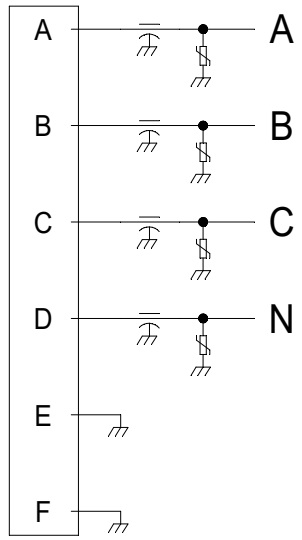
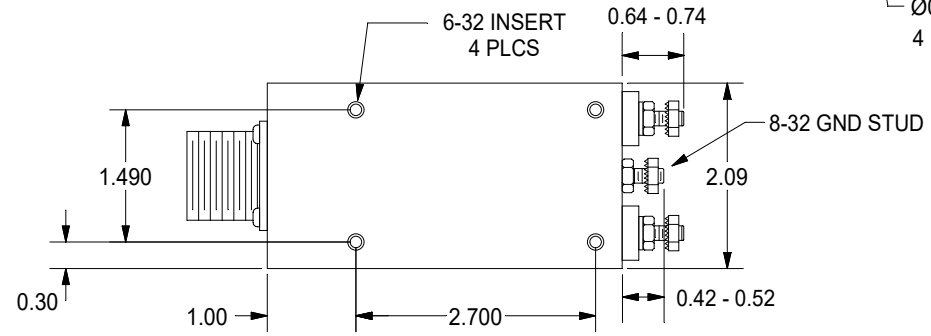
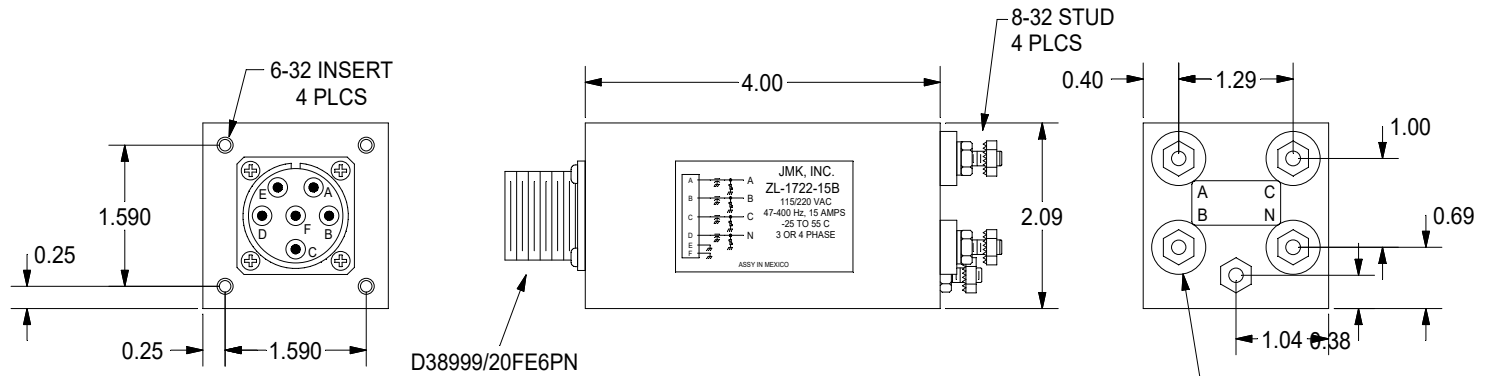


OPERATING VOLTAGE: 115 - 220 VAC
 OPERATING FREQUENCY: 47 - 400 Hz
 CURRENT: 15 AMP
 OPERATING TEMP: -25 TO +55 C
 CAPACITANCE: 0.01uF / LINE
 VARISTOR VOLTAGE: 344 - 420 VOLTS



SCALE	APPROVED BY	DRWN BY	DJN
DATE	12/16/2005	REV DATE	
SPECIFICATION			REVISION
TOLERANCE .XX = .02 .XXX = .005		DRAWING NO. ZL-1722-15B	
DIM: INCHES (mm)			