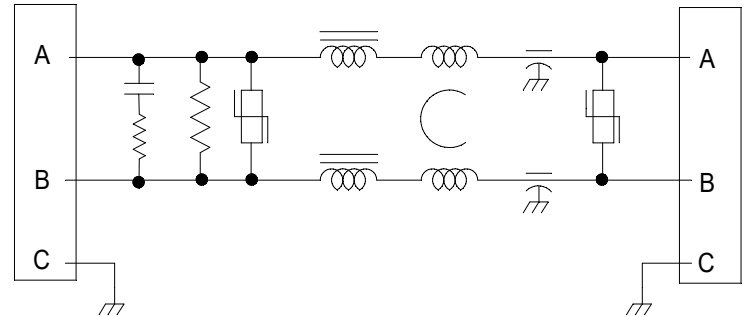
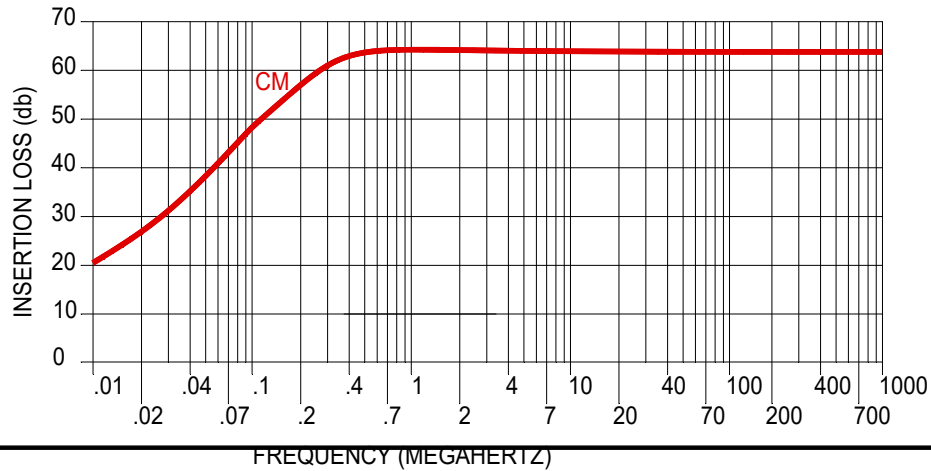


OPERATING VOLTAGE: 28 VDC  
 CURRENT: 2 AMP MAX.  
 OPERATING TEMPERATURE: -40 TO +60 C



SCALE	APPROVED BY	DRWN BY	JFM
DATE	7/21/14	REV DATE	9/8/16
<b>SPECIFICATION</b>			REVISION <b>D</b>
TOLERANCE	XX = .02 XXX = .005	DRAWING NO.	ZG-2226-2
DIM: INCHES (mm)			