

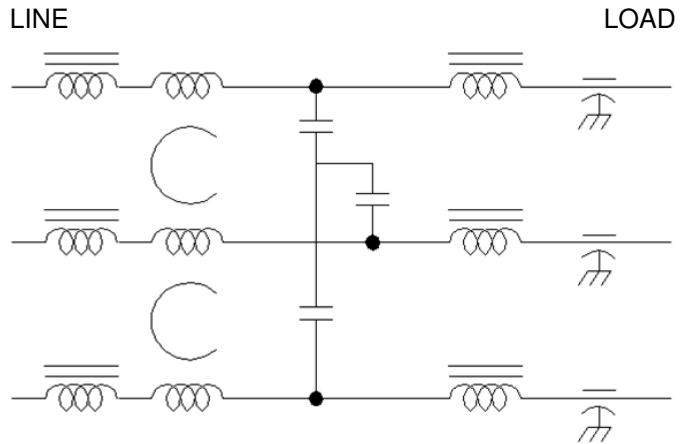


0664D SERIES

The 664D filter is a 3 phase (Delta) filter.

This series is designed to be used with military systems which are required to meet the conducted emission levels of MIL-STD-461C, CE03.

Minor modifications can be done to adjust the environmental and vibration specs.



Operating Voltage = _____ 250/480 Vac
 Operating Current Max = _____ 7 & 10 Amps
 Operating Frequency = _____ 50—400Hz
 Operating Temperature = _____ -20 to +50 °C

Diel Withstand (L to Case) = _____ 1 500V ~for 1 Min
 Diel Withstand (L to L) = _____ 1500Vdc for 1 Min

Leakage current @ 250V ~60Hz = _____ 1.0 mA at 250V ac
 = _____ 400Hz

Max Residual Voltage after 5 secs = _____ 34 V Max

Calculated MTBF = _____ 418,505 hrs @ 30 °C GB

